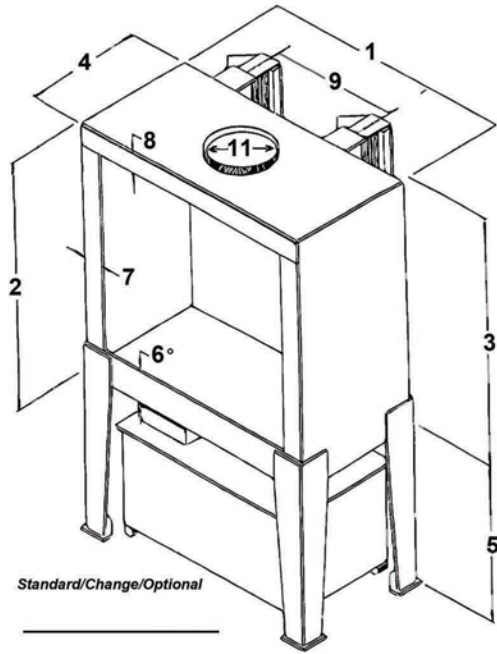


BUILD A BOOTH!

Recirculation Unit

POLYPROPYLENE
or
STAINLESS STEEL

_____ indicate



***Standard Dimensions**

Standard/Change/Optional

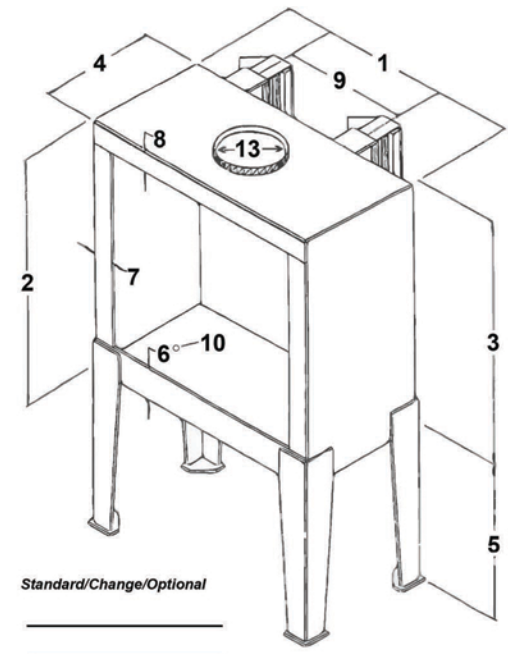
- | | | | |
|------------------------------------|-------|----------------------------------|-------|
| 1) Width | _____ | Quoted Price | _____ |
| 2) Front Height | _____ | Salesman | _____ |
| 3) Rear Height (1" lower then #2) | _____ | Customer Name | _____ |
| 4) *Depth (24") | _____ | Customer Sign Off | _____ |
| 5) *Leg Height (26") | _____ | P.O. # | _____ |
| 6) *Lower Lip (10") | _____ | Date Promised | _____ |
| 7) *Side Lip (4") | _____ | Ships 4 to 6 weeks after deposit | |
| 8) *Upper Lip (4") | _____ | | |
| 9a) Number of Lights | _____ | | |
| 9b) Size of Lights (3', 4', or 8') | _____ | | |
| 9c) Vertical or Horizontal | _____ | | |
| 10) Light Switch Location (L or R) | _____ | | |
| 11) *Vent (10") | _____ | | |

Special Instructions: _____

Washout Booth

POLYPROPYLENE
or
STAINLESS STEEL

_____ indicate



***Standard Dimensions**

Standard/Change/Optional

- | | | | |
|------------------------------------|-------|----------------------------------|-------|
| 1) Width | _____ | Quoted Price | _____ |
| 2) Front Height | _____ | Salesman | _____ |
| 3) Rear Height (1" lower then #2) | _____ | Customer Name | _____ |
| 4) *Depth (24") | _____ | Customer Sign Off | _____ |
| 5) *Leg Height (26") | _____ | P.O. # | _____ |
| 6) *Lower Lip (10") | _____ | Date Promised | _____ |
| 7) *Side Lip (4") | _____ | Ships 4 to 6 weeks after deposit | |
| 8) *Upper Lip (4") | _____ | | |
| 9a) Number of Lights | _____ | | |
| 9b) Size of Lights (3', 4', or 8') | _____ | | |
| 9c) Vertical or Horizontal | _____ | | |
| 10) Drain Location (L,C, or R) | _____ | | |
| 11) Gun Holder? (L or R) | _____ | | |
| 12) Light Switch Location (L or R) | _____ | | |
| 13) *Vent (10") | _____ | | |

Special Instructions: _____

